

# MAF Series 1 bar

*Gas Governor*  
*Nominal diameter 1"*  
*Inlet pressure up to 1 bar with*  
*integrated safety shut-off valve*  
 DVGW approved according to DIN33 822 / VP200



### Application

- Pressure reducing for
  - district distribution
  - utilisation
  - domestic application

### Technical Data

- Inlet pressure range
  - standard models:  
 $P_e$  24 mbar to 1 bar
  - ME models:  
 $P_e$  26 mbar to 1 bar
- Outlet pressure range
  - standard models:  
 $P_{as}$  20 mbar to 300mbar (different setting springs necessary)
  - ME models:  
 $P_{as}$  22 mbar to 30 mbar
- Minimum differential pressure  
 $\Delta p_{min}$  4 mbar
- Installation of the diaphragm housing either horizontal or vertical (different setting in case of vertical installation)
- Operation of low pressure cut-off according to DIN 33822

### Main Features

- Spring loaded
- Fully inlet pressure balanced
- Inlet pressure resistant up to 16 bar
- Internal impulse
- Excellent outlet pressure control even at low capacities
- Easy maintenance
- Connections:  
coaxial DN 25; thread G 2", coaxial DN 40; thread G 2 3/4"
- Integrated safety shut-off valve
- Test plug for outlet pressure testing at the shut-off valve
- Test plug can be lead sealed
- Reset knob of shut-off valve can be lead sealed
- Operation temperatures  
-20°C to +60°C
- Options:
  - Integrated filter

### Available Models

- MAF 25 EI , MAF 40 EI  
Standard models equipped with over pressure safety shut-off valve
- MAF 25 EII , MAF 40 EII  
Models equipped with over & under pressure safety shut-off valve
- MAF 25 ME , MAF 40 ME  
Models equipped with over pressure safety shut-off valve & low pressure cut off (LPCO)

### Ordering Example

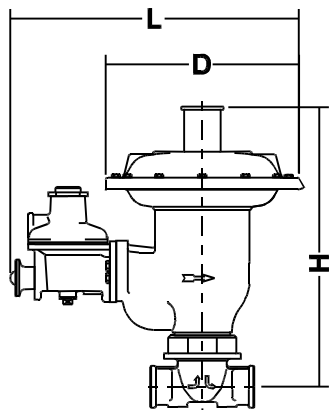
Gas governor MAF 25 EII with over & under pressure shut-off valve

- Inlet pressure ... to ... mbar
- Outlet pressure ... mbar
- Over pressure shut-off set ... mbar
- Under pressure shut-off set ... mbar
- Horizontal installation
- Filter

### Pressure ranges & accuracy classes for outlet pressure and safety devices

Governor			Safety shut-off valve			
control pressure set range	control accuracy class	lock up pressure class	over pressure set range	over pressure accuracy class	under pressure set range	under pressure accuracy class
[mbar]	%	%	[mbar]	%	[mbar]	%
$P_{as}$ 18 - 300	RG 10	SG 30	$p_{SO}$ 45 - 500	AGo $\pm$ 10	$p_{Su}$ 6 - 13 $p_{Su}$ >13 -150	AGu $\pm$ 30 AGu $\pm$ 10

**Technical datas & dimensions**



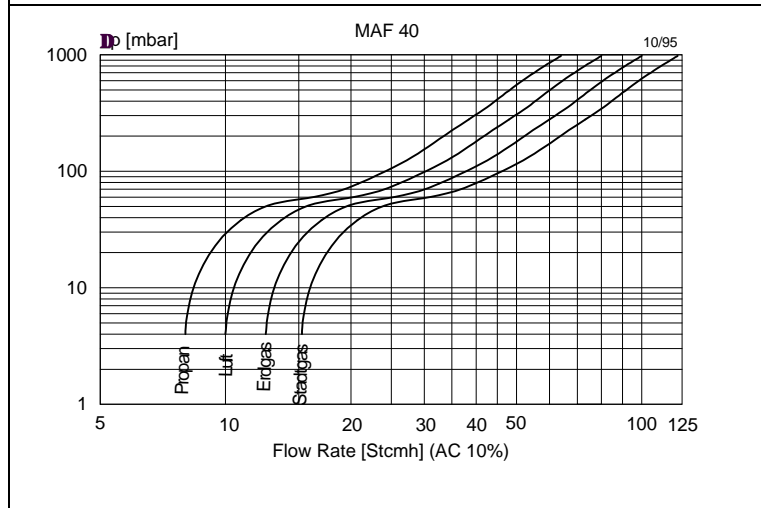
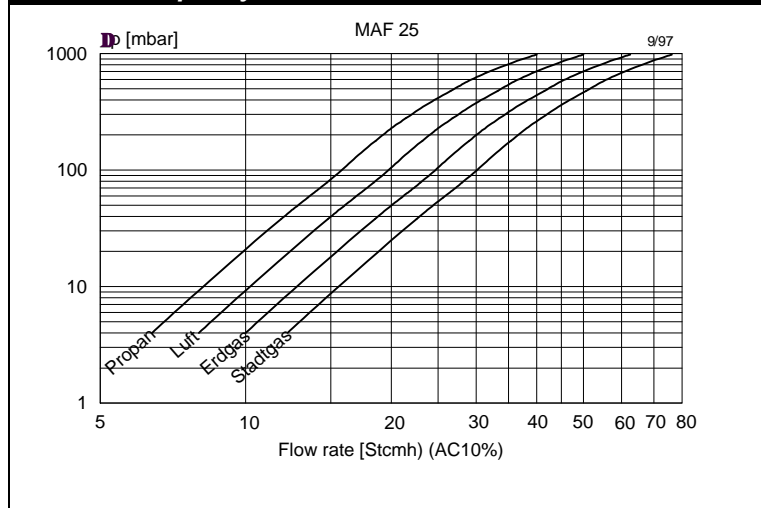
Horizontal installation of the gas governor

Typ	Capacities natural gas in Stcmh			Connections		Dimensions in mm			Weight in kg approx.
	Q <sub>max</sub> at Δp 4 mbar	Q <sub>max</sub> at P <sub>emin</sub> 26 mbar	Q <sub>max</sub> at P <sub>emax</sub> 1 bar	Pipe diameter**	Thread	D	H	L	
MAF 25 (M)E	10	10	62	DN 25 or 40	G 2"	185	272	285	3,4
MAF 40 E	12,5	12,5	100	DN 40 or 50	G 2 3/4"	185	286	285	4,5
MAF 40 ME	12,5	12,5	85	DN 40 or 50					

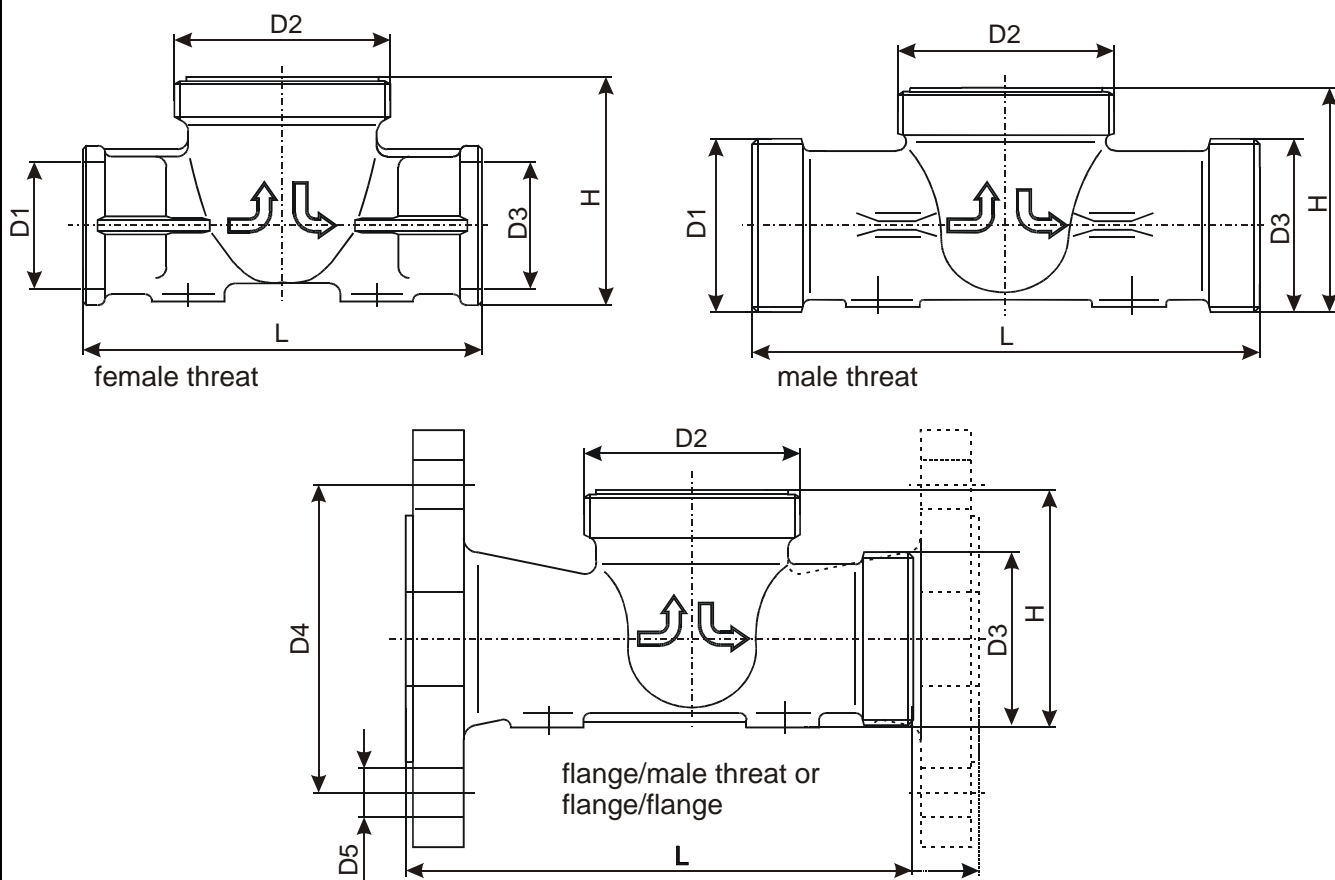
Flow rates ±20% according to DIN Standards  
 Q<sub>max</sub>, P<sub>emin</sub> = maximum flow rate at minimum differential pressure Δp<sub>min</sub> 4 mbar  
 Q<sub>max</sub>, P<sub>emax</sub> = maximum flow rate at maximum differential pressure Δp<sub>max</sub> 982 mbar

\*\*\*) special connecting pieces are available

**Maximum capacity**



**Connecting pieces, dimensions**



Connection	Size		Dimensions							Order No. <sup>1)</sup>		
	pipe	regulator	D1	D2	D3	D4	D5	L [mm]	H [mm]	standard	2 test plugs	2 test nipples
female thread	DN 25	DN 25	G 1	G 2	G 1	-	-	110	62	73010628	73010630	73010632
	DN 40	DN 25	G 1½	G 2	G 1½	-	-	140	72	73010637	73010639	73010742
	DN 40	DN 40	G 1½	G 2¾	G 1½	-	-	140	82	73010638	73010633	73010743
male thread	DN 50	DN 40	G 2	G 2¾	G 2	-	-	160	105	73010631	73010744	7301745
	DN 25	DN 25	G 1½	G 2	G 1½	-	-	140	66	73010629	73010634	73010636
flange/ male thread	DN 40	DN 40	G 2½	G 2¾	G 2¾	-	-	210	94	73010796	73010782	73010780
	DN 25	DN 25	-	G 2	G 1½	85	14	140	68	73010641	73010642	73010736
	DN 40	DN 40	-	G 2¾	G 2¾	110	18	166	83	73010643	73010644	73010737
flange	DN 50	DN 40	-	G 2¾	-	125	18	200	165	73012985	-	-

Threat according to DIN ISO 228 T1

<sup>1)</sup> zink plated