

MR 25 Series 1 bar



*Gas governor
Nominal diameter 1"
Inlet pressure up to 1 bar with
integrated safety shut-off valve*

DVGW approved according to DIN 33 822 / VP200

Application

- Pressure reducing for
 - district distribution
 - utilisation
 - domestic application

Technical Data

- Inlet pressure range
 - standard models:
 P_e 24 mbar to 1 bar
 - MG / MF / MF-G models:
 P_e 26 mbar to 1 bar
- Outlet pressure range
 - standard models:
 P_{as} 20 mbar to 300 mbar
(different setting springs necessary)
 - MG / MF / MF-G models:
 P_{as} 22 mbar to 30 mbar
- Minimum differential pressure
 Δp_{min} 4 mbar
- Installation of the diaphragm housing either horizontal or vertical (different setting in case of vertical installation)
- Operation of low pressure cut-off in accordance to DIN 33822

Main Features

- Spring loaded
- Fully inlet pressure balanced
- Inlet pressure resistant up to 16 bar
- Internal impulse
- Excellent outlet pressure control at low & high capacities
- Easy maintenance
- Connections:
MR 25 F flange PN 16,
MR 25 G male thread 1½"
MR 25 F-G inlet flange outlet male thread 1½"
- Integrated safety shut-off valve
- Test plug for outlet pressure testing at the shut-off valve
- Test plug can be lead sealed
- Reset knob of shut-off valve can be lead sealed
- Operation temperatures
–20 °C to +60 °C

Options:

- Integrated filter

Available Models

- MR 25 G, MR 25 F, MR 25 F-G
Standard models equipped with over pressure safety shut-off valve
- MR 25 SG, MR 25 SF,
MR 25 SF-G Models equipped with over & under pressure safety shut-off valve
- MR 25 MG, MR 25 MF,
MR 25 MF-G Models equipped with over pressure safety shut-off valve & low pressure cut off (LPCO)

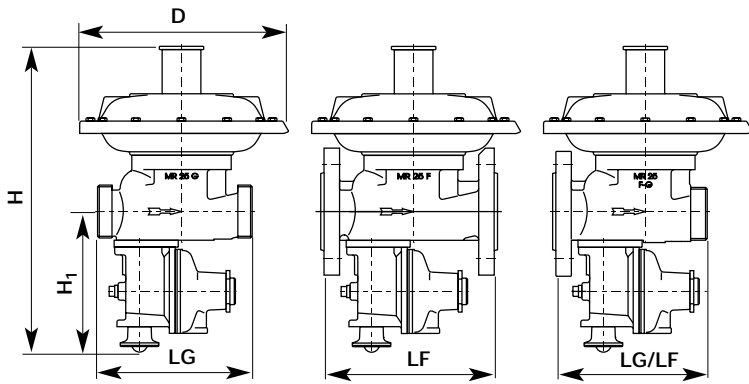
Ordering Example

Gas governor MR 25 SF with over & under pressure shut-off valve

- Inlet pressure ... to ... mbar
- Outlet pressure ... mbar
- Over pressure shut-off set ... mbar
- Under pressure shut-off set ... mbar
- Horizontal installation
- Filter

Pressure ranges & accuracy classes for outlet pressure and safety devices

control pressure set range	Governor		Safety shut-off valve			
	control accuracy class	lock up pressure class	over pressure set range	over pressure accuracy class	under pressure set range	over pressure accuracy class
[mbar]	%	%	[mbar]	%	[mbar]	%
P_{as} 18 – 300	RG 10	SG 30	P_{so} 45 – 300	AGo ± 10	P_{su} 6 – 13 P_{su} > 13 – 150	AGu ± 30 AGu ± 10

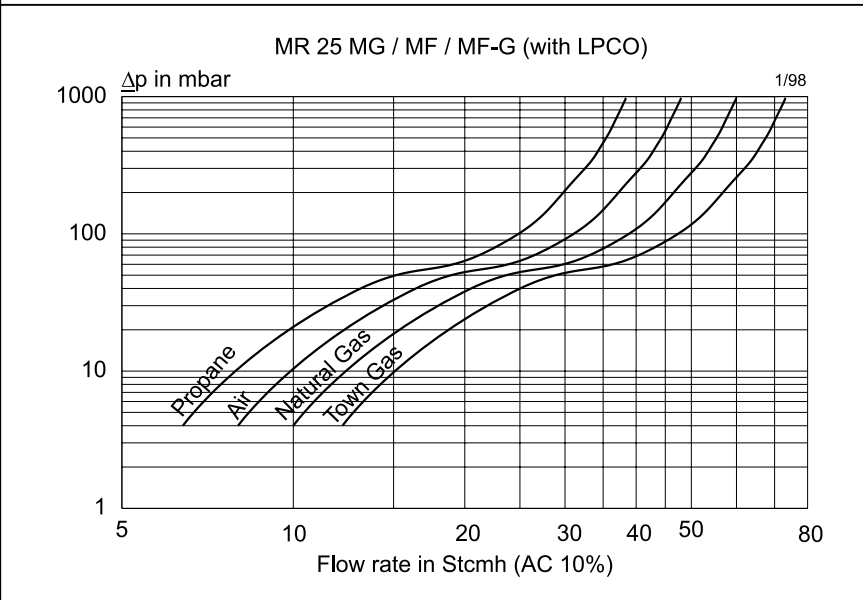
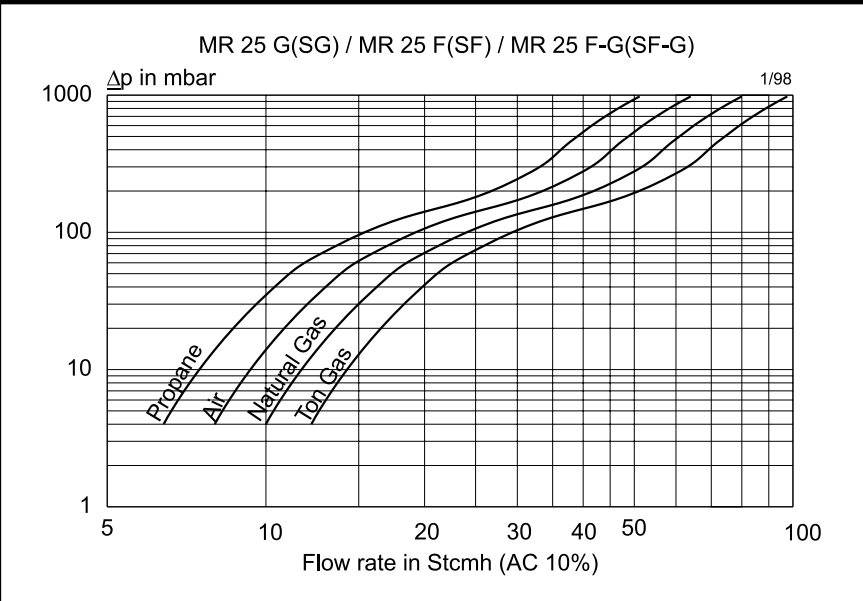


Horizontal installation of the gas governor

Technical data and dimensions

Type	Capacities natural gas in Stcmh			Line	Connections Thread/ Flanges	Dimensions in mm				Weight in kg approx.	
	Q _{max} at Δp 4 mbar	Q _{max} at P _{emin} 26 mbar	Q _{max} at P _{emax} 1 bar			LG	LF	H	H ₁		D
MR 25 G	10	10	80	DN 25	Thread G 1½	140	-	284	134	185	3,4
MR 25 F	10	10	80	DN 25	Flange PN 16	-	160	284	134	185	5,1
MR 25 F-G	10	10	80	DN 25	Flange PN 16/ Thread G 1½	140		284	135	185	3,8

Flow Nomogram



Flow rates ± 20% according to DIN Standards
 Q_{max}, P_{emin} = maximum flow rate at minimum differential pressure Δp_{min} 4 mbar
 Q_{max}, P_{emax} = maximum flow rate at maximum differential pressure Δp_{max} 982 mbar

Your contacts

Elster Handel GmbH
 POB 129
 D-55248 Mainz-Kastel, Germany
 Tel. ++49/61 34/605-0
 ☎ Fax ++49/61 34/605-390

Elster Gastechnic GmbH
 Heiligenstädterstrasse 45
 A-1190 Wien 90, Austria
 Tel. ++431/3 69 26 55
 ☎ Fax ++431/3 69 26 522

GWF AG
 Obergrundstrasse 119
 CH-6002 Luzern, Switzerland
 Tel. ++41/41-3 19 50 50
 ☎ Fax ++41/41-3 10 60 87

Elkro gas S.p.a.
 Via Cava Trombetta 3
 20090 Segrate, Italy
 Tel. ++390/02-269 262 72
 ☎ Fax ++390/02-269 262 78

S.A. Kromschroeder
 Carr. de Santa Eulalia 213, Hospitalet de Llobregat
 08902 Barcelona
 Tel. ++34/93-432 96 00
 ☎ Fax ++34/93-422 20 90

Soporg as
 Rua do Outeiro, 39
 4470 Gemunde, da Maria, Sector II
 Tel. ++351-2-9442134
 ☎ Fax ++351-2-9442139

**INTERNATIONAL
 Elster (IOM)**
 POB 129
 D-55252 Mainz-Kastel
 Tel. ++49/6134/605-0
 Fax ++49/6134/605-223

7210 PD EN 01