

# MR 50 Series 1 bar

*Gas Governor  
Nominal diameter 2"  
Inlet pressure up to 1 bar with  
integrated safety shut-off valve*

DVGW approved according to DIN 33 822 / VP200



## Application

- Pressure reducing for
  - district distribution
  - utilisation
  - domestic application

## Technical Data

- Inlet pressure range  
 $P_e$  50 mbar to 1 bar
- Outlet pressure range:  
 $P_{as}$  = 18 to 300 mbar  
(different setting springs necessary)
- Minimum differential pressure:  
 $\Delta p_{min}$  4 mbar
- Installation of the diaphragm housing either horizontal or vertical (different setting in case of vertical installation)

Pressure set ranges and accuracy classes see table below

## Main Features

- Spring loaded
- Fully inlet pressure balanced
- Inlet pressure resistant up to 16 bar
- Excellent outlet pressure control even at low capacities
- Internal impulse
- Safety diaphragm
- Easy maintenance
- Flange connection PN16
- Integrated safety shut-off valve
- Test plug for outlet pressure testing at the shut-off valve
- Test plug can be lead sealed
- External impulse can be installed
- Operating temperatures: -20 °C to +60 °C

## Options:

- Integrated filter
- Limited capacity relief valve

## Available Models

- MR50F Standard models equipped with over pressure safety shut-off valve
- MR50SF Models equipped with over & under pressure safety shut-off valve
- MR50F1 and MR50SF1 Models equipped with over respective over & under pressure safety shut-off valve and limited capacity relief valve
- Male thread connection

## Ordering Example

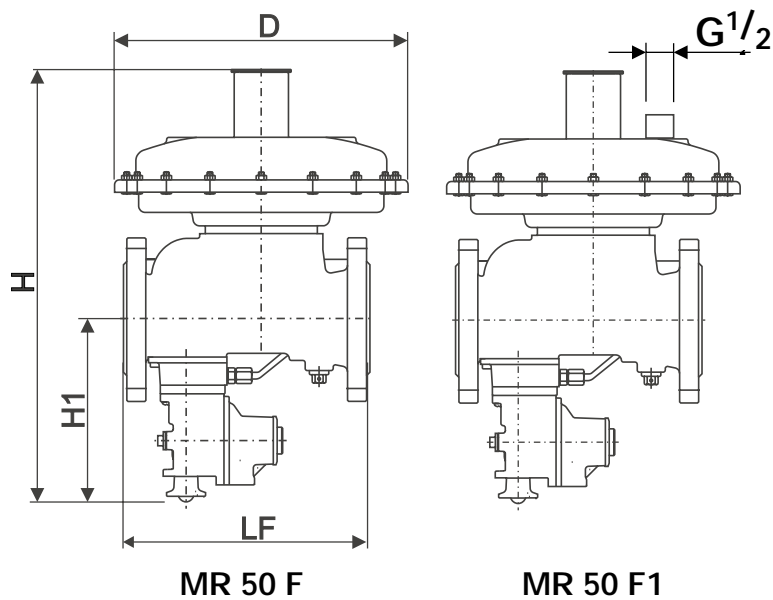
Gas governor MR50SF with over & under pressure shut-off valve

- Inlet pressure ... to ... mbar
- Outlet pressure ... mbar
- Over pressure shut-off set ... mbar
- Under pressure shut-off set ... mbar
- Horizontal installation
- Filter

## Pressure ranges & accuracy classes for outlet pressure and safety devices

Control pressure set range	Governor		Over pressure set range	Safety shut-off valve			Relief valve	
	Control accuracy class	Lock up pressure class		Over pressure accuracy class	Under pressure set range	Under pressure accuracy class	Set range	Accuracy class
[mbar]	%	%	[mbar]	%	[mbar]	%	[mbar]	%
$P_{as}$ 18 - 300	RG 10	SG 20	$P_{so}$ 65 - 500	AGo $\pm$ 10	$P_{su}$ 8 - 13 $P_{su}$ > 13 - 150	AGu $\pm$ 30 AGu $\pm$ 10	40 - 160 above outlet pressure	$\pm$ 10

### Technical data and dimensions



Horizontal installation  
of the gas governor

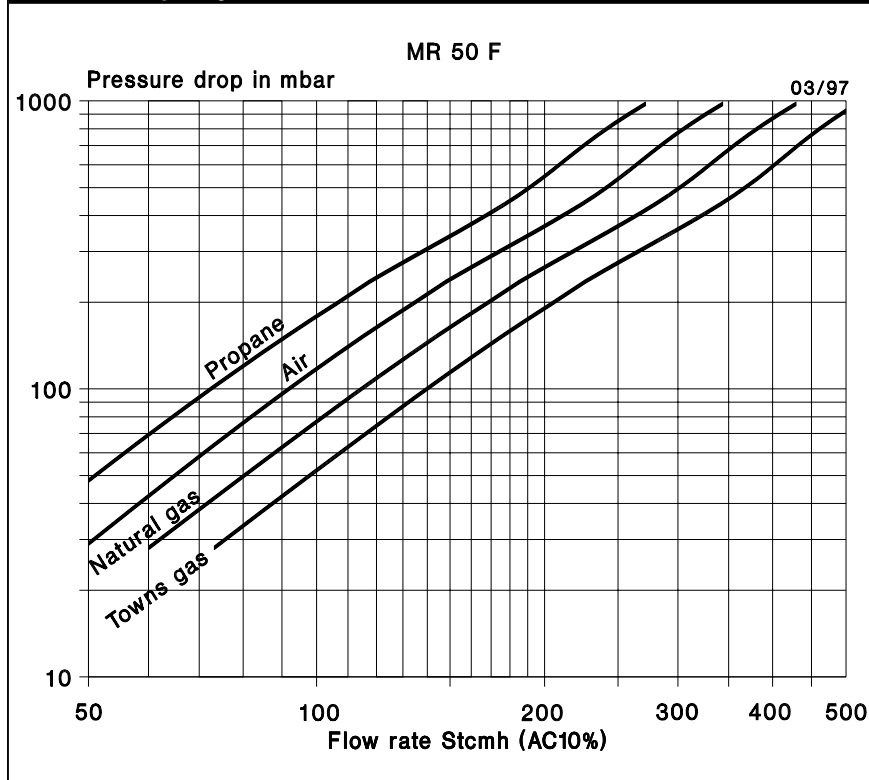
Type	Capacities natural gas in stcm/h			Connections		Dimensions in mm				Weight in kg approx.
	Q <sub>max</sub> at Δp 4 mbar	Q <sub>max</sub> at P <sub>min</sub> 50 mbar	Q <sub>max</sub> P <sub>max</sub> 1 bar	Line	Thread/Flanges	LF	H1	H	D	
MR 50 F	28	62.5	430	DN 50	Flange PN 16	220	110	380	262	13

Flow rates ±20% according to DIN Standards

Q<sub>max</sub>, P<sub>min</sub> = minimum flow rate at minimum differential pressure Δp<sub>min</sub> 30 mbar

Q<sub>max</sub>, P<sub>max</sub> = maximum flow rate at maximum differential pressure Δp<sub>max</sub> 982 mbar

### Maximum capacity



### Your contacts

#### Elster Handel GmbH

POB 129  
D-55248 Mainz-Kastel, Germany  
Tel. ++49/61 34/605-0  
☎ Fax ++49/61 34/605-390

#### Elster Gastechnik GmbH

Heiligenstädterstrasse 45  
A-1190 Wien 90, Austria  
Tel. ++431/369 26 55  
☎ Fax ++431/369 26 52 22

#### GWf AG

Obergrundstrasse 119  
CH-6002 Luzern, Switzerland  
Tel. ++41/41-3 19 50 50  
☎ Fax ++41/41-3 10 60 87

#### Elkro gas S.p.a.

Via Cava Trombetta 3  
20090 Segrate, Italy  
Tel. ++390/02-269 262 72  
☎ Fax ++390/02-269 262 78

#### S.A. Kromschroeder

Carr. de Santa Eulalia 213, Hospitalet de Llobregat  
08902 Barcelona  
Tel. ++34/93-432 96 00  
☎ Fax ++34/93-422 20 90

#### Soporg as

Rua do Outeiro, 39  
4470 Gemunde, da Maria, Sector II  
Tel. ++351-2-9442134  
☎ Fax ++351-2-9442139

#### INTERNATIONAL

Elster (IOM)  
POB 129  
D-55252 Mainz-Kastel  
Tel. ++49/6134/605-0  
Fax ++49/6134/605-223

7230 PD EN 01